

ENCLOSED STRAIGHT-THRU PLATFORM W/3-GATE (NO PIT)

VPL-3353B VERTICAL PLATFORM LIFT

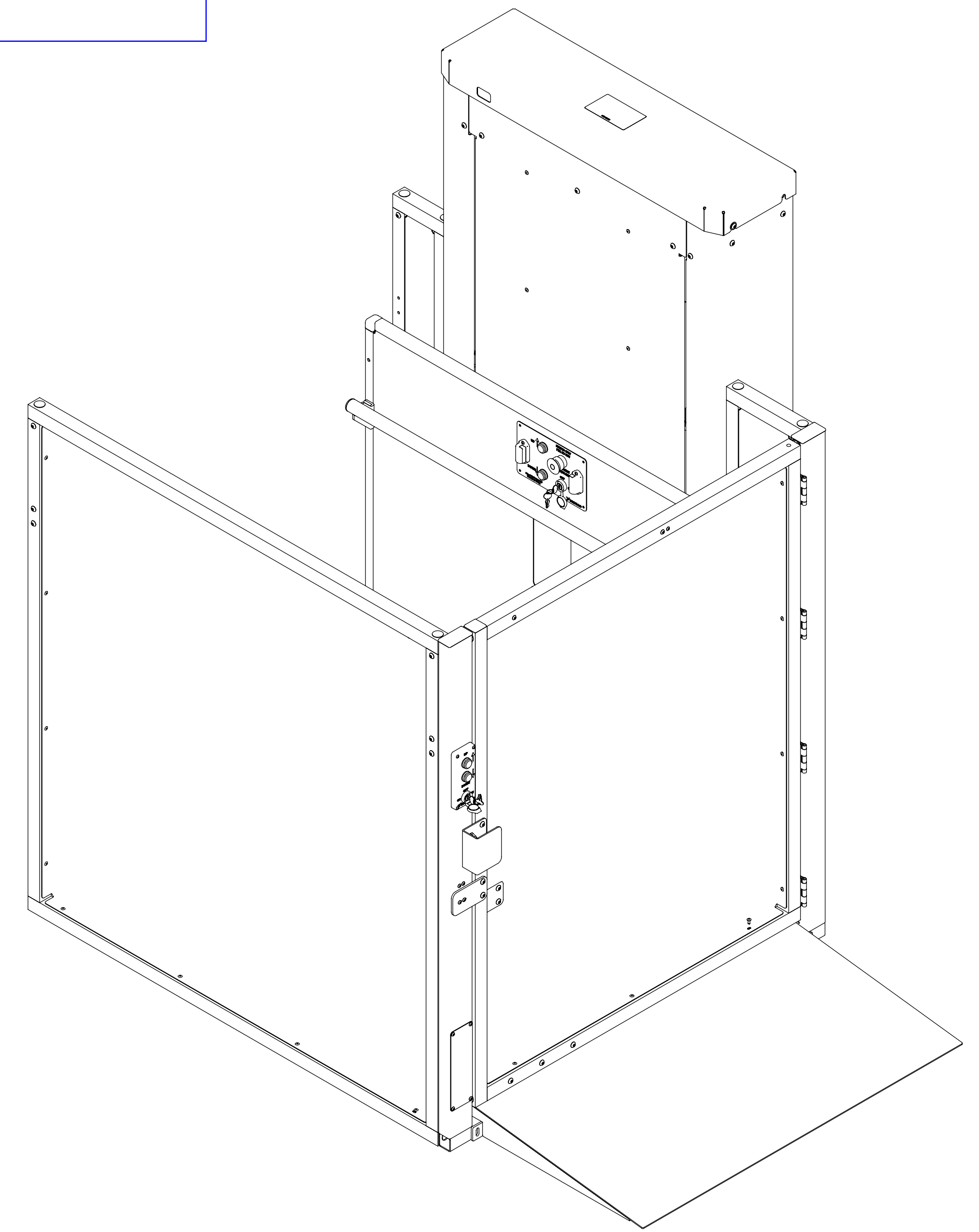
TECHNICAL DATA/SPECIFICATIONS

RATED LOAD: 750 lbs maximum.
INPUT POWER SOURCE:
-DC BATTERY POWERED UNIT: 110-120 Volt 3 Amp 60 Hz battery charger.
DRIVE:
-DC BATTERY POWERED UNIT: 1/2 hp motor, 1750 rpm, 24 VDC, continuous duty.
INTERMEDIATE REDUCTION: Dual 4L style Poly-V belts and pulleys, 3.94:1 pulley reduction.
FINAL DRIVE: 1" dia. ACME screw w/bronze nut and bronze safety back up nut.
MOTOR CONTROLLER:
-DC BATTERY POWERED UNIT: 24 VDC Relay control.
SPEED:
-DC BATTERY POWERED UNIT: 10 feet per minute maximum

For complete technical specifications please see
ILS-01100 "VPL-3300B Series Commercial Vertical Platform Lift Technical Specification"

PERFORMANCE STANDARDS

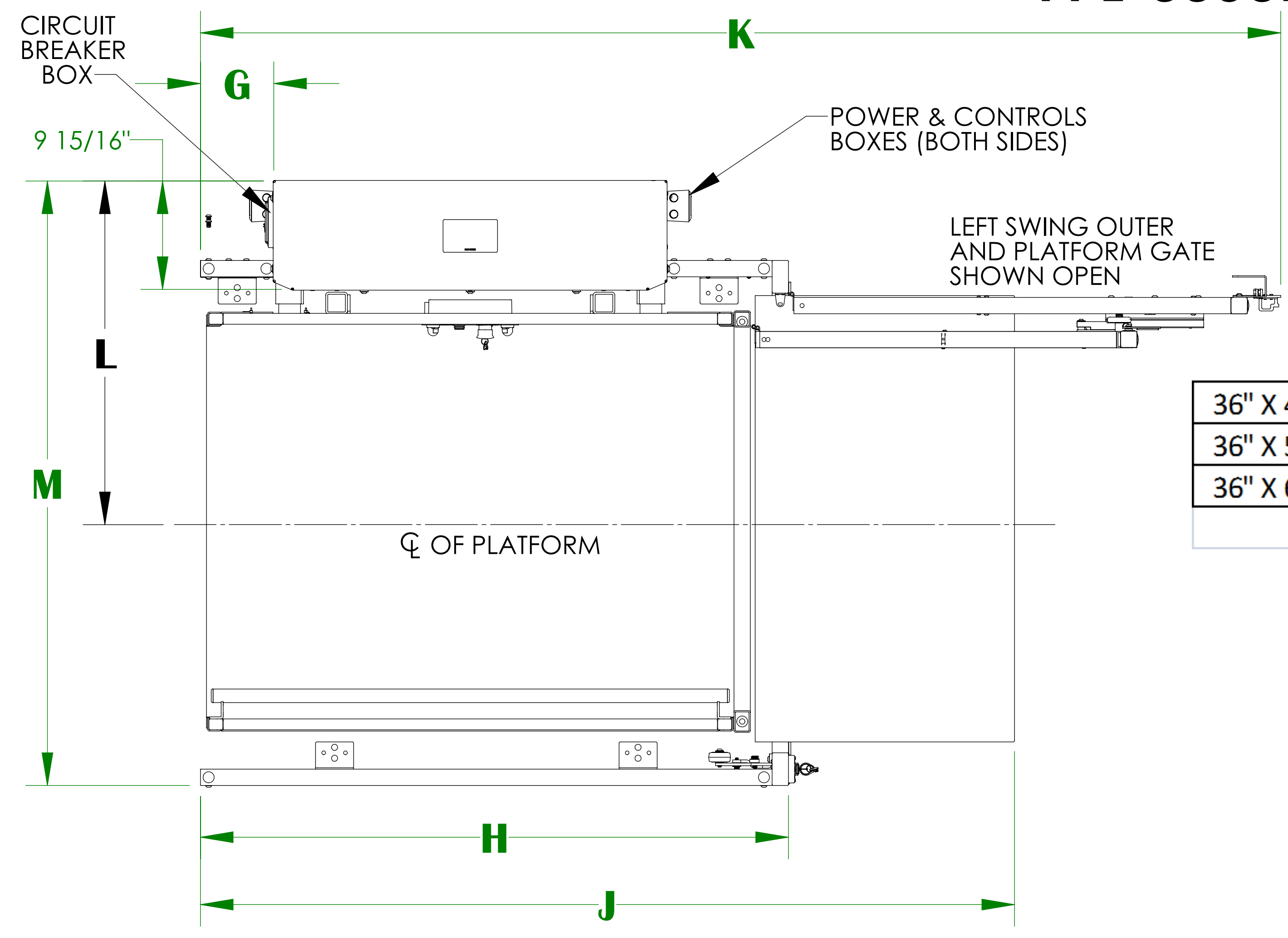
USA FOOD & DRUG ADMINISTRATION: CLASS II, 510(K) Exempt, File No. 890.3930,
Product Code: PCE
ASME A18.1-2011 (Section 2) Safety Standards for Platform Lifts and Stairway Chairlifts
CSA B355-09 Lifts for Persons with Physical Disabilities
CSA B44.1-11/ASME-A17.5-2011 Elevator and Escalator Electrical Equipment



ENCLOSED STRAIGHT-THRU PLATFORM W/3-GATE (NO PIT)

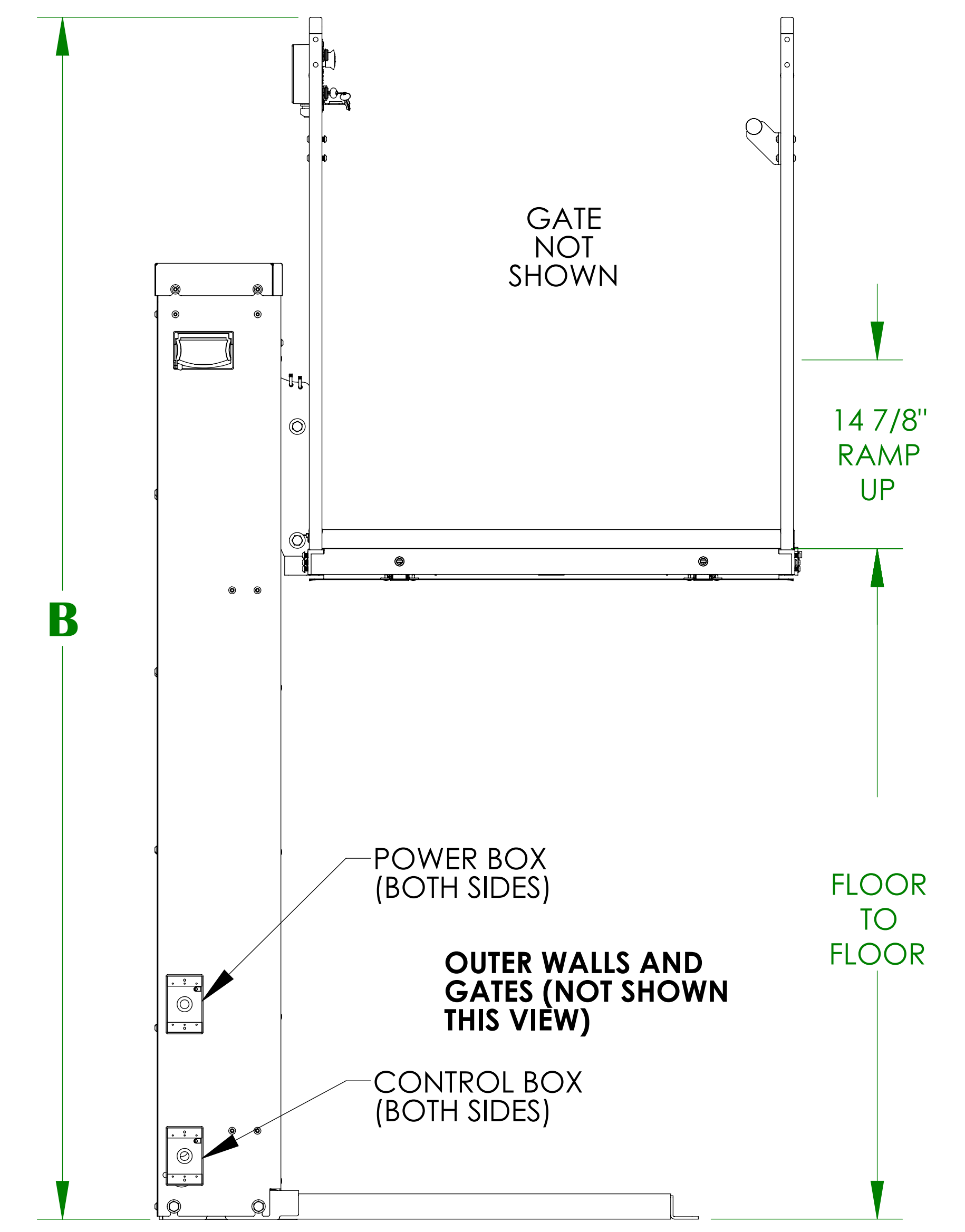
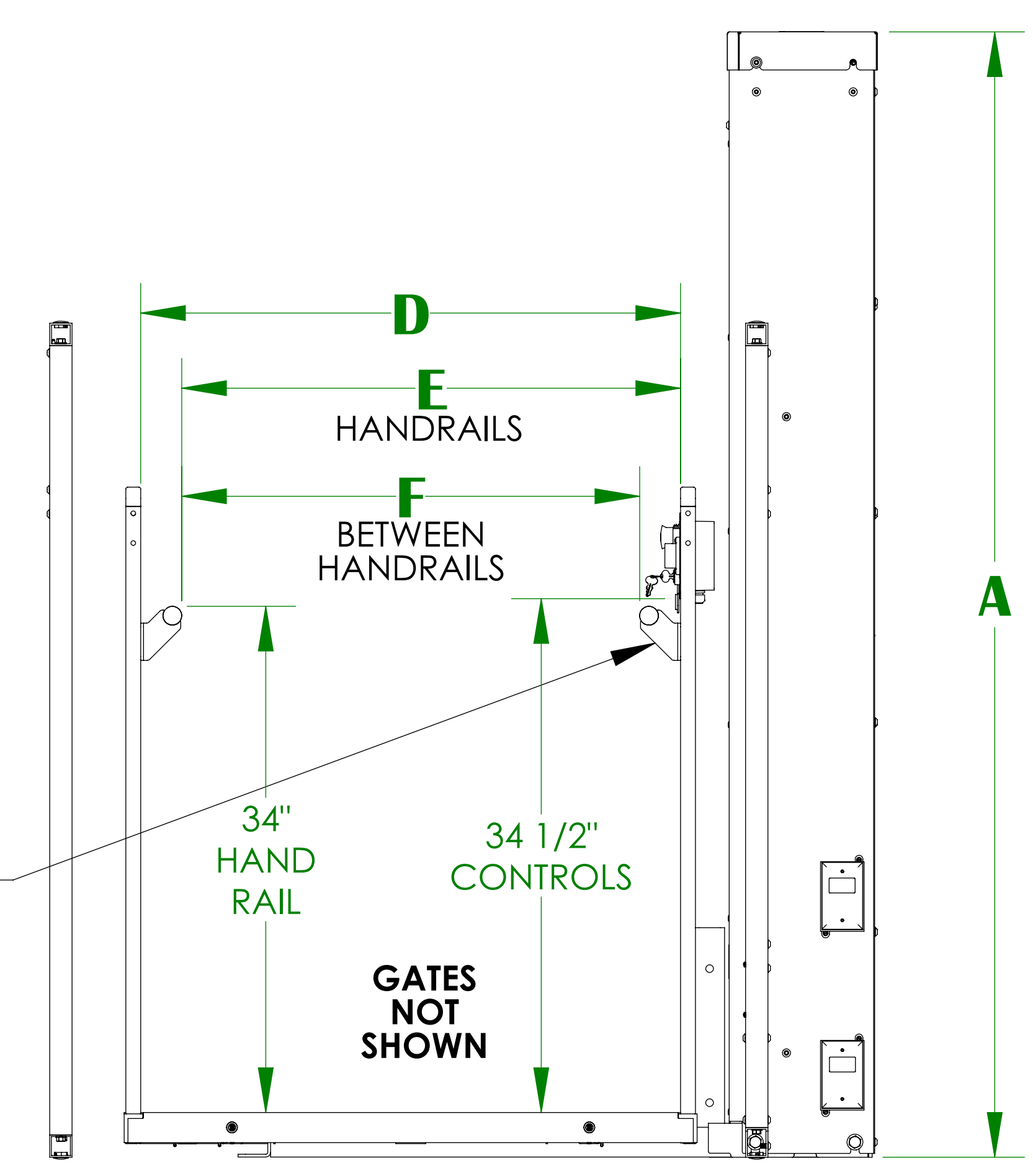
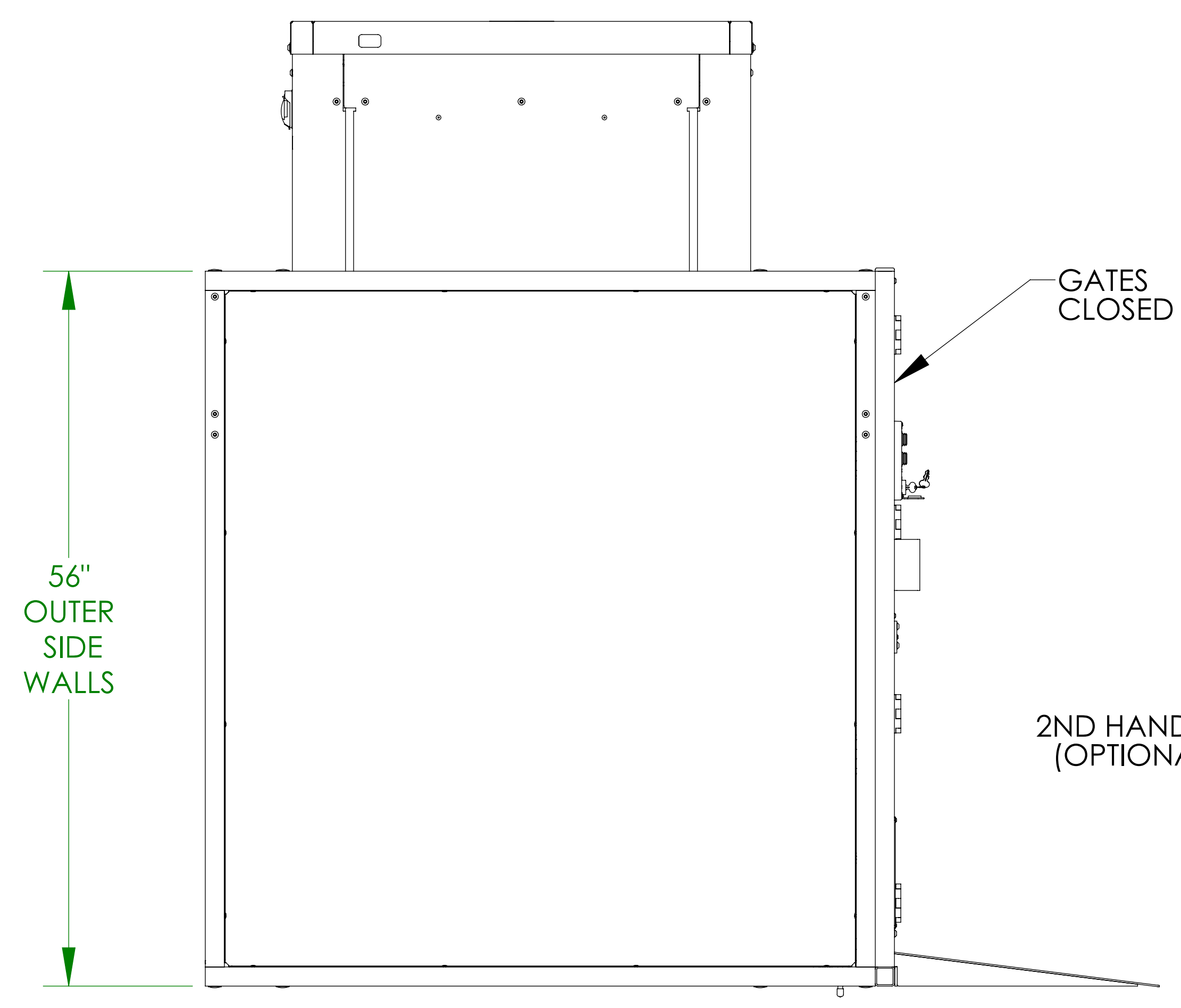
VPL-3353B VERTICAL PLATFORM LIFT

For complete technical specifications please see
 ILS-01100 "VPL-3300B Series Commercial Vertical Platform Lift Technical Specification"



	D	E	F	G	H	J	K	L	M
36" X 48" PLATFORM	36-1/4"	33-1/2"	30-3/4"	6 11/16"	54	74 13/16"	99 3/16"	31-9/16"	55 1/2"
36" X 54" PLATFORM	36-1/4"	33-1/2"	30-3/4"	9 11/16"	60	80 13/16"	105 3/16"	31-9/16"	55 1/2"
36" X 60" PLATFORM	36-1/4"	33-1/2"	30-3/4"	12 11/16"	66	86 13/16"	111 3/16"	31-9/16"	55 1/2"

	A	B	C MIN	C MAX
V P L - 3353 B	75-9/16"	95"	11"	53"



ENCLOSED STRAIGHT-THRU PLATFORM W/3-GATE (NO PIT)

VPL-3353B VERTICAL PLATFORM LIFT ANCHOR POINT LOCATIONS/SLAB DETAIL

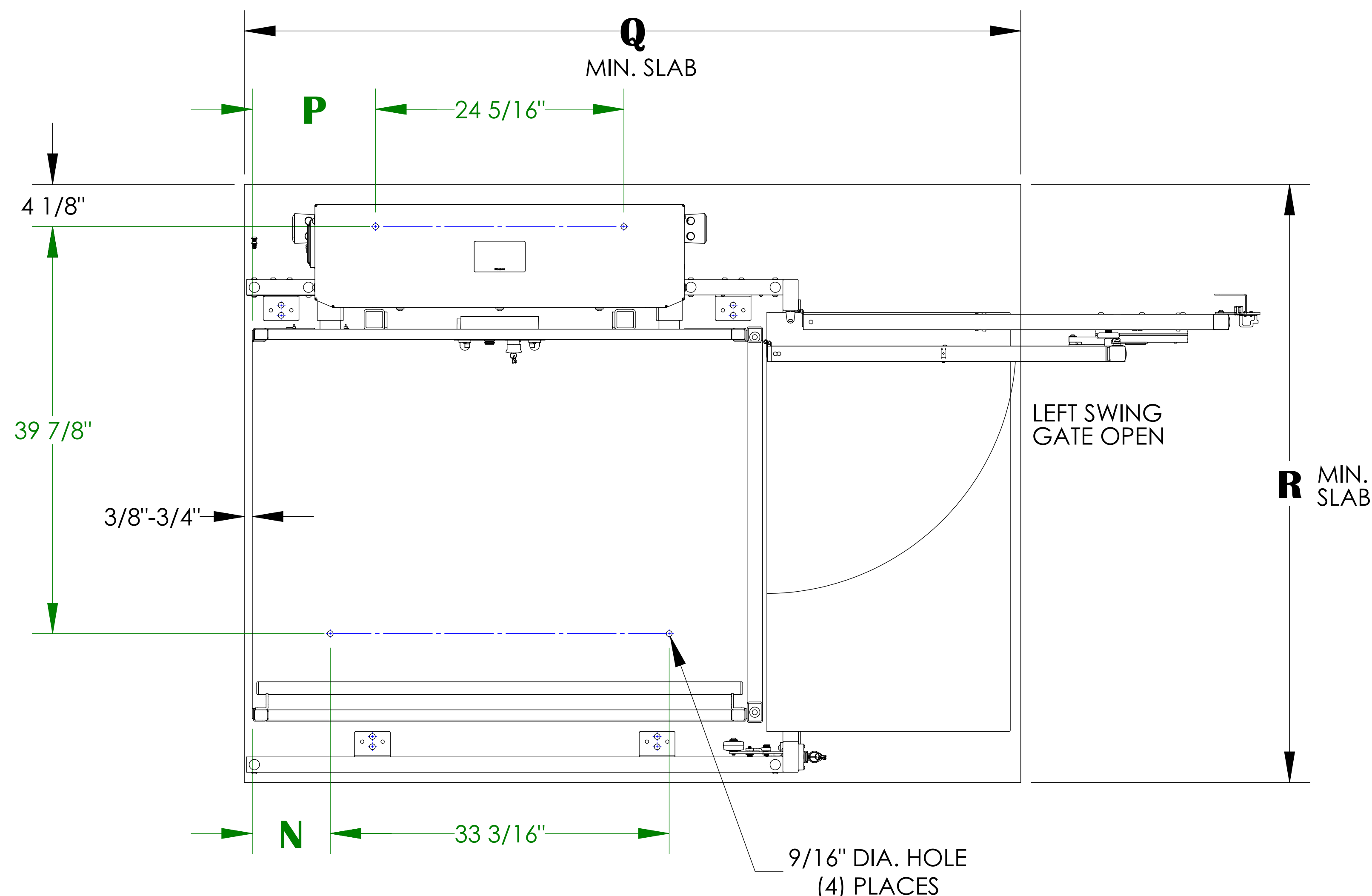
TECHNICAL SPECIFICATIONS

FLOOR ATTACHMENT:
VPL MUST BE FASTENED TO CONCRETE SLAB USING FOUR (4) 1/2" (3/8" BOLT)
X MINIMUM 2-1/2" LONG CONCRETE ANCHORS SUITABLE FOR THE ENVIRONMENT.
FOLLOW SELECTED CONCRETE ANCHOR MANUFACTURERS GUIDELINES AND
APPLICABLE CODES.

FLOOR REQUIREMENTS:
4" THICK 3500 PSI MINIMUM COMPRESSIVE STRENGTH, REINFORCED CONCRETE SLAB.

	S	T	U	V	W
36" X 48" PLATFORM	9-1/4"	35"	39"	27-9/16"	27-7/8"
36" X 54" PLATFORM	10-3/4"	36-1/2"	42"	30-9/16"	33-7/8"
36" X 60" PLATFORM	12-1/4"	38"	45"	33-9/16"	33-7/8"

For complete technical specifications please see
ILS-01100 "VPL-3300B Series Commercial Vertical Platform Lift Technical Specification"



UNITS WITH STRAIGHT THROUGH PLATFORM WITH 3-GATE

	N	P	Q	R
36" X 48" PLATFORM	7-5/8"	12-1/16"	76"	58 9/16"
36" X 54" PLATFORM	10-5/8"	15-1/16"	82"	58 9/16"
36" X 60" PLATFORM	13-5/8"	18-1/16"	88"	58 9/16"

